

# SANITARY SOLUTIONS INC.

*Bulldog Valves...Bulldog Tough.™*

## T316L, 1"- 4" Three Way "L-Port" Encapsulated Seat Clamp End Ball Valve



Two "RED" Arrows to Indicate Flow



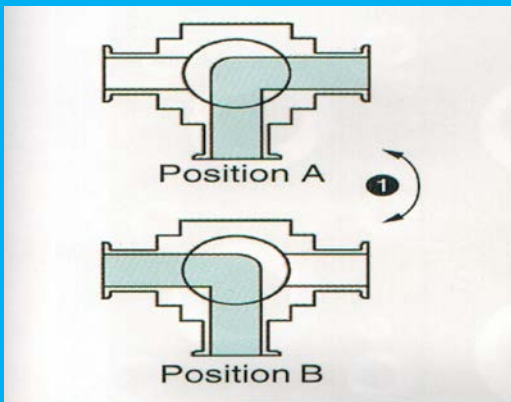
Capped and Bagged for Protection



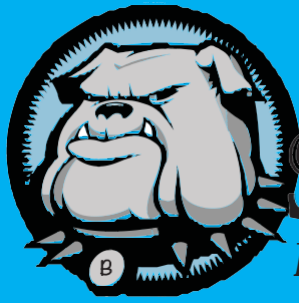
Locking Handle/ISO 5211 Mount Pad



Full Port/Cavity Filled Seats



<u>POSITION</u>	<u>TURN</u>
A & B	90°

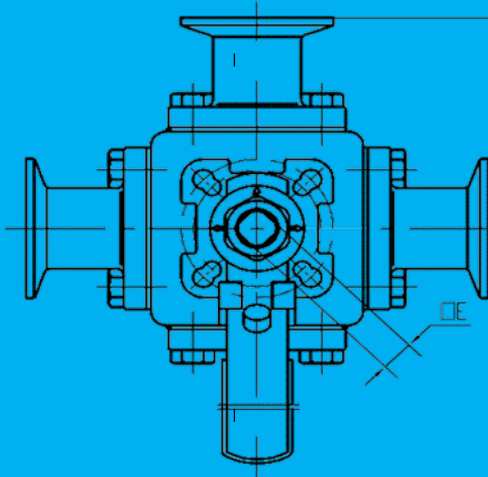


# SANITARY SOLUTIONS INC.

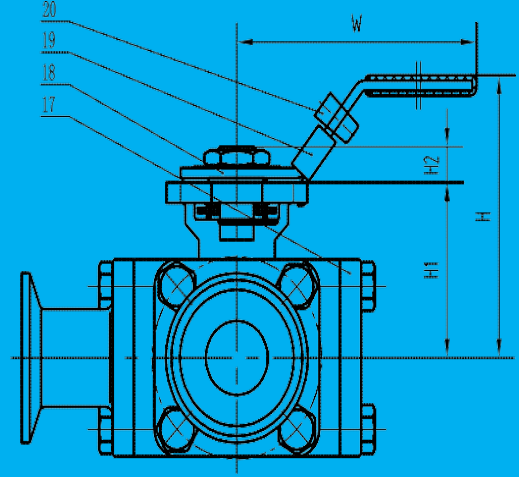
*Bulldog Valves...Bulldog Tough.™*

## THREE WAY "L-PORT" BALL VALVE DIMENSIONS

**TOP VIEW**



**SIDE VIEW**

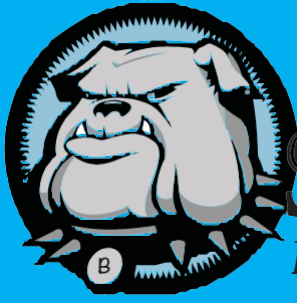


<b>Tube O.D. Size</b>	<b><u>D</u></b>	<b><u>C</u></b>	<b><u>D</u></b>	<b><u>L</u></b>	<b><u>E</u></b>	<b><u>H</u></b>	<b><u>H1</u></b>	<b><u>H2</u></b>	<b><u>W</u></b>	<b><u>ISO 5211</u></b>
1"	0.870"	1.709"	1.980"	6.299"	0.433"	3.268"	2.047"	0.394"	6.299"	<b>F04/F05</b>
1.5"	1.370"	1.709"	1.980"	7.205"	0.551"	3.858"	2.559"	0.551"	8.268"	<b>F05/F07</b>
2"	1.882"	2.220"	2.520"	8.504"	0.669"	4.724"	3.150"	0.551"	9.843"	<b>F07/F10</b>
2.5"	2.370"	2.780"	3.051"	9.488"	0.748"	5.709"	4.015"	0.709"	9.843"	<b>F07/F10</b>
3"	2.882"	3.140"	3.576"	11.00"	0.860"	8.000"	6.250"	0.889"	13.00"	<b>F12</b>
4"	3.862"	4.250"	4.653"	12.75"	0.863"	8.500"	6.375"	1.170"	13.00"	<b>F12</b>

*"L" PORT PART NUMBER EXAMPLE WHEN ORDERING:*

**SSEBVC3L-SIZE-316L**

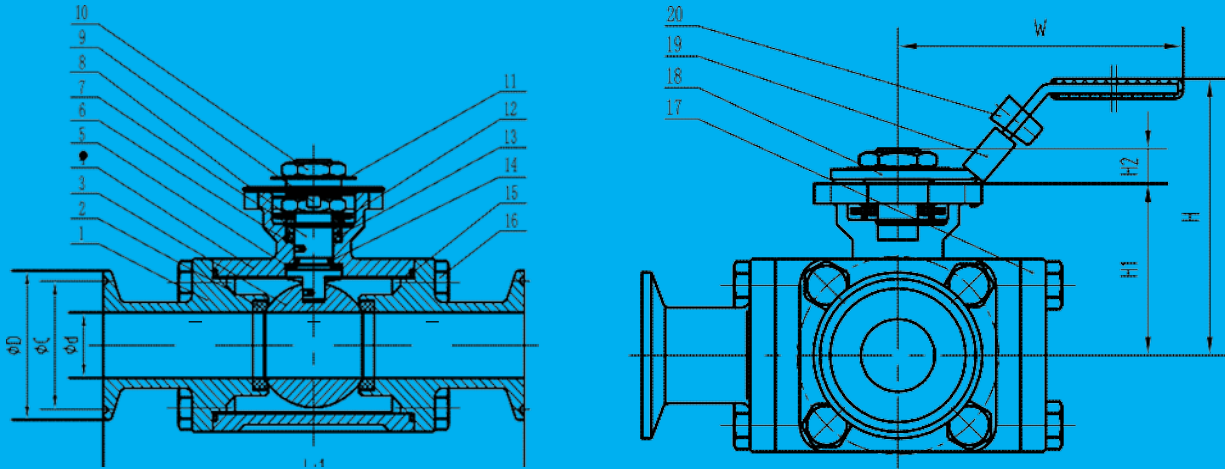
**1-888-909-3569 or 1-855-640-7871**



# SANITARY SOLUTIONS INC.

*Bulldog Valves...Bulldog Tough.™*

## THREE WAY "L-PORT" BALL VALVE PRODUCT BREAKDOWN



NUMBER	NAME of PART	MATERIAL
1	Bonnet	ASTM A351 CF8M
2	Seat	PTFE + 15% FV
3	Ball	ASTM A182 316
4	Body	ASTM A351 CF8M
5	Stem Gasket	TEFLON®
6	Ant-Static Device	ASTM A276 T304
7	Stem	ASTM A276 T316
8	Butterfly Spring	ASTM A276 T304
9	Thrust Washer	ASTM A276 T304
10	Stem Nut	ASTM A276 T304
11	Name Plate	ASTM A276 T304
12	Packing Gland	ASTM A276 T304
13	Packing	TEFLON®
14	O-Ring	VITON®
15	Gasket	TEFLON®
16	Hex Nut	ASTM A276 T304
17	End Cap	ASTM A351 CF8M
18	Handle	ASTM A276 T304
19	Handle Lock	ASTM A276 T304
20	Pin	Plastic

**No Expediting Charges/Same Day Shipping**